

HANDBOOK
VALVES

DIAPHRAGM VALVES

Diaphragm valves do not have a gland seal. Thin metal discs (diaphragms), which hermetically isolate the spindle chamber from the fluid flow area, ensure the external sealing.

The main parts of the diaphragm valves are made with the

following materials:

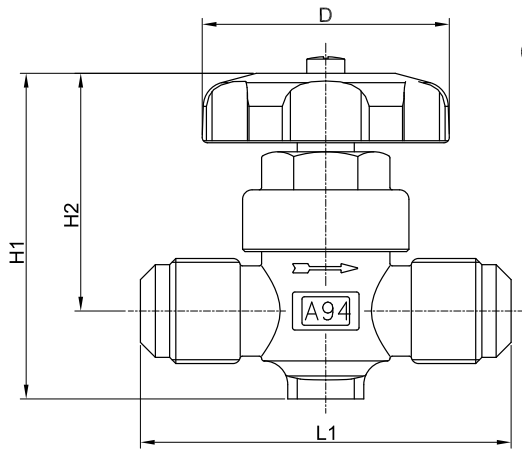
- Hot forged brass EN 12420 – CW 617N for the body.
- Brass EN 12164 – CW 614N for spindle
- Harmonic steel for spring
- Nylon for seat sealing gaskets

TABLE 7: General characteristics of diaphragm valves

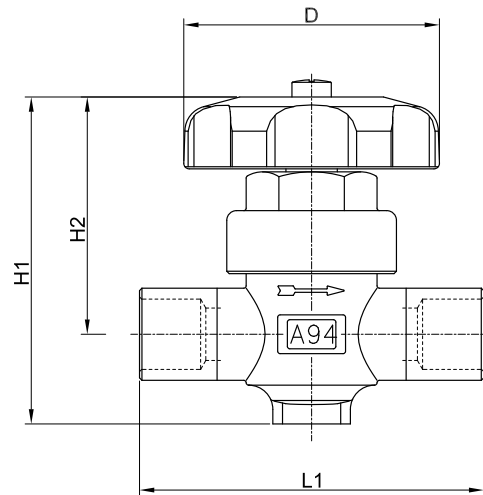
Catalogue Number	Connections			Kv Factor [m ³ /h]	PS [bar]	TS [°C]		TA [°C]		Risk Category according to PED Recast
	SAE Flare	ODS				min.	max.	min.	max.	
		Ø [in.]	Ø [mm]							
6210/2	1/4"	-	-	0,28	28	-35	+90	-35	+50	Art. 4.3
6210/3	3/8"			1,00						
6210/4	1/2"			1,30						
6210/5	5/8"			1,80						
6210/6	3/4"			3,65						
6220/M6	-			6						
6220/2	1/4"	-	1,00							
6220/3	3/8"									
6220/M10	-	10	1,30							
6220/4	1/2"	-	1,80							
6220/5	5/8"	16	3,65							
6220/6	3/4"	-	3,65							
6220/7	7/8"									

TABLE 8: Dimensions and weights of diaphragm valves

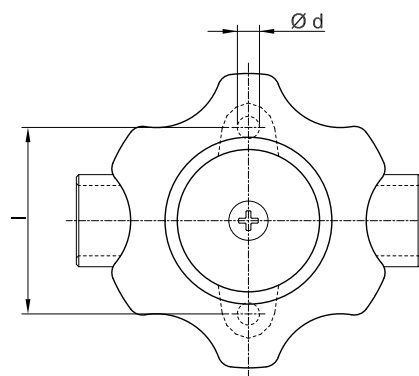
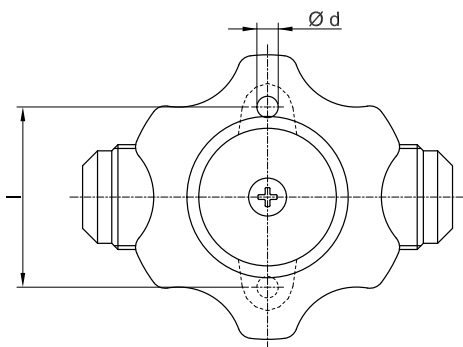
Catalogue Number	Dimensions [mm]						Weight [g]
	H ₁	H ₂	L ₁	d	l	D	
6210/2	68	53,5	58	4,5	36	52	200
6210/3	72		74		325		
6210/4			78		335		
6210/5			340				
6210/6	86		62,5		98		6,2
6220/M6	68	53,5	53	4,5	36	52	195
6220/2			72		61		38
6220/3	70				305		
6220/M10	71						
6220/4	86		62,5		92		6,2
6220/5		94		645			
6220/6		94		645			



6210



6220



www.castel.it



ed. 002-VR-ENG

Castel can accept no responsibility for any errors or changes in the catalogues, handbooks, brochures and other printed material. Castel reserves the right to make changes and improvements to its products without notice. All trademarks mentioned are the property of their respective owners.

The name and Castel logotype are registered trademarks of Castel Srl.
All rights reserved.

Castel Srl - Via Provinciale 2-4 - 20060 Pessano con Bornago - MI